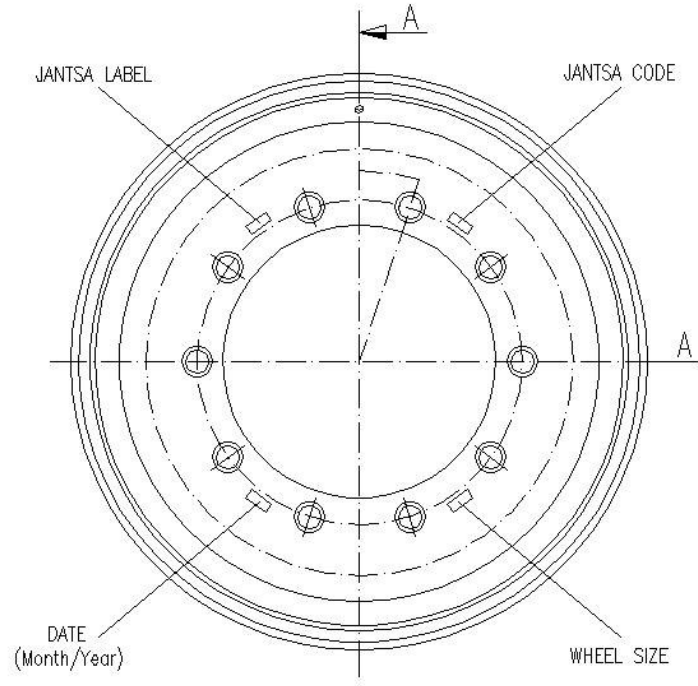
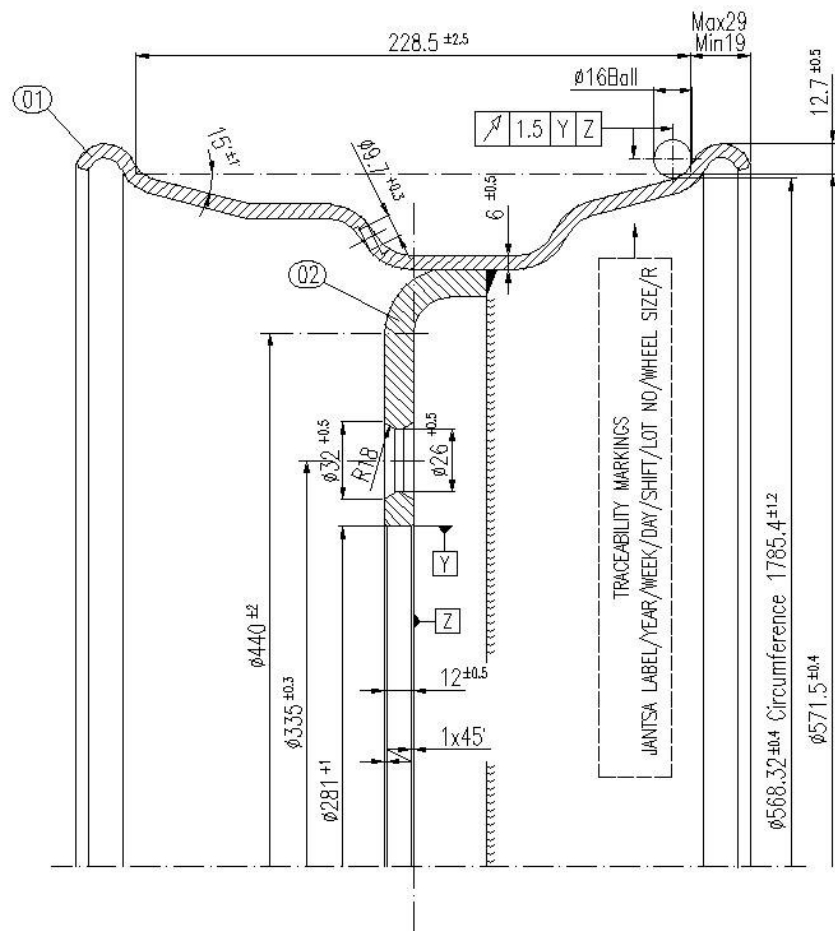


LETTER	DESCRIPTION	REVISION	DATE	REV.NO

AA-SECTION



MON.NO	PCS	PART NAME	MATERIAL	CUTTING MEASURE	WEIGHT
02	1	DISC	ERD 3944 / St 44-2	-	-
01	1	RIM	ERD 3944 / St 44-2	-	-

FINISHING TOLERANCES : All surfaces marked with ✓ are to be machined unless otherwise indicated general machining tolerances:

DISTRIBUTION		1) ANGULAR TOLERANCE = ±0' 10'				
Technical Department	1					
Production Department	1					
Quality Assurance Dept.	1	2) DIMENSIONAL TOLERANCE (mm)				
INVESTMENT NO		Up to 6	6 to 30	30 to 100	100 to 300	
PAGE NO		Diameter	±0.05	±0.1	±0.15	±0.2
		Length	±0.1	±0.2	±0.3	±0.5

DO NOT ADJUST THE DIMENSION FROM THE DRAWING

	NAME	SIGNATURE	DATE
DRAWN BY	C.ERDOGAN		19.10.06
CHECKED	M.KARADELI		19.10.06
APPROVED	S.BILGENOGLU		19.10.06

Wheel Industry & Trade Inc.Co.
 Phone : 0 256 259 11 25
 Fax : 0 256 259 11 24
 AYDIN / TURKEY

SCALE	Item Name:
-	22.5x9.00

DRAWING NO
900292