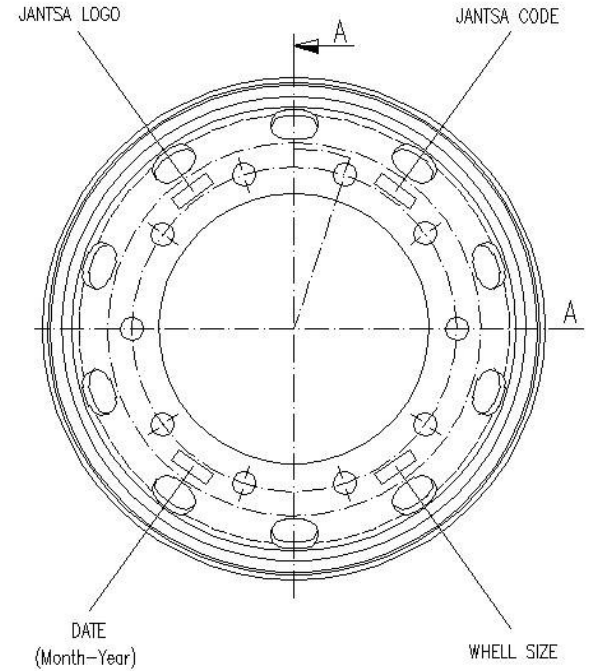
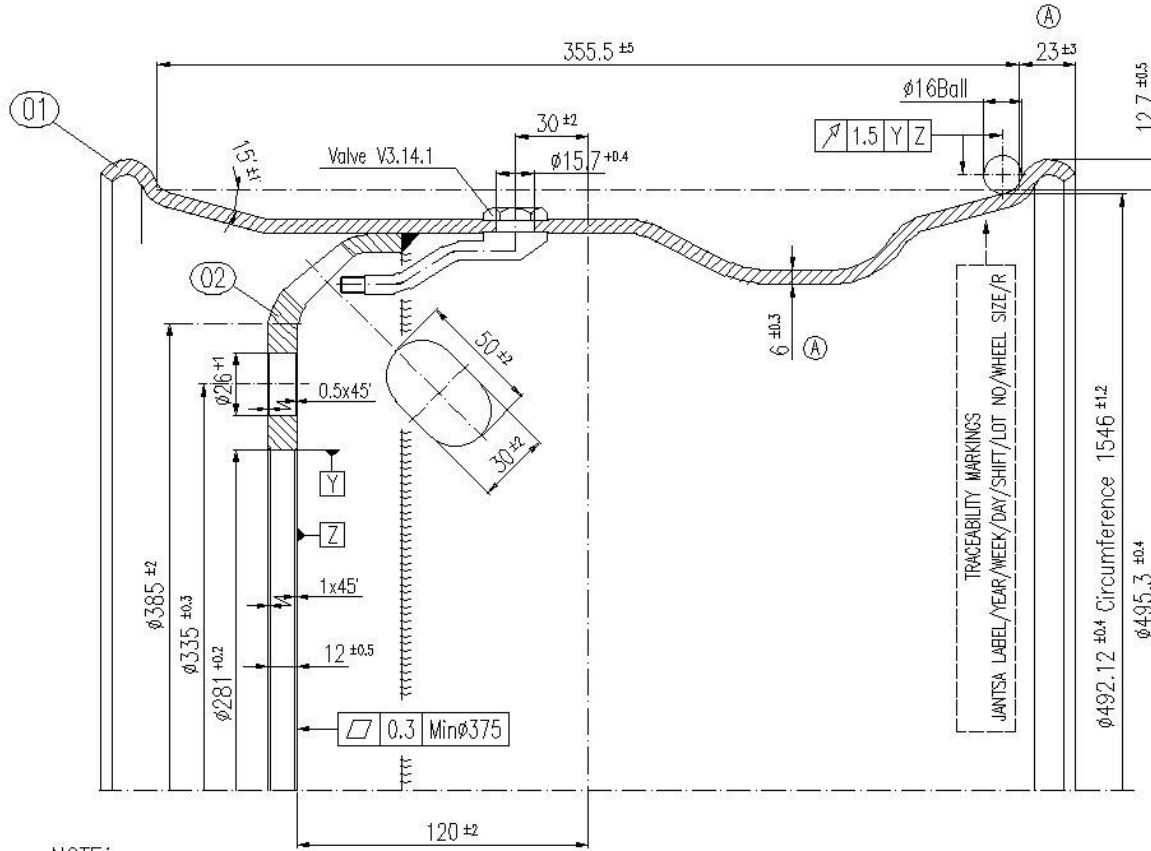


LETTER	DESCRIPTION	REVISION	DATE	REV.NO
Ⓐ	Rim thickness before 6.5 now 6 mm. Rim material is changed.	Drawing is revised.	27.08.07	1

AA-SECTION



NOTE:

- 1-Bu jant E.T.R.T.O. ve TSE normlarında belirtilen özelliklere uygun olacaktır.  
This rim has all specifications of
- 2-Musade edilen balansizlik 2000 Cmg.  
Statik balansizlik 100 gr.  
The acceptable un balanceness is 2000 Cmg.  
Static unbalanceness is 100 gr.
- 3-Yük kapasitesi (100 Km/h): 4500 Kg  
Loading capacity (100 Km/h): 4500 Kg
- 4-Subap deligi alın kaynagi üzerine rastlamayacak.  
Position of rim welding must not lap over the hole.
- 5-Lastik ebadı 445/65 R 19.5  
Tyre size 445/65 R 19.5

- 6-Tavsiye edilen subap V3.1  
Rec. valve type V3.14.1
- 7-Jant ve jant üzerindeki delikler keskin köşelerden arındırılacaktır.  
The sharp corners on the wheel an wheel holes shall be purified.

DISTRIBUTION		FINISHING TOLERANCES : All surfaces marked with ✓ are to be machined unless otherwise indicated general machining tolerances:				
Technical Department	1	1) ANGULAR TOLERANCE = ±0' 10'				
Production Department	1	2) DIMENSIONAL TOLERANCE (mm)				
Quality Assurance Dept.	1		Up to 6	6 to 30	30 to 100	100 to 300
INVESTMENT NO		Diameter	±0.05	±0.1	±0.15	±0.2
PAGE NO		Length	±0.1	±0.2	±0.3	±0.5

MON.NO	PCS	PART NAME	MATERIAL	PURT NUMBER	WEIGHT
02	1	DISC	ERD 3944 / St 44-2	-	-
01	1	RIM Ⓐ	ERD 3944 / St 44-2	060TB19514003-G157B	-

DO NOT ADJUST THE DIMESION FROM THE DRAWING			
	NAME	SIGNATURE	DATE
DRAWN BY	M.BAHAR		28.06.05
CHECKED	M.KARADELI		28.06.05
APPROVED	S.BILGENOGLU		28.06.05
SCALE	Item Name:		
	19.5x14.00		

**Jant**  
Wheel Industry & Trade Inc.Co.  
Phone : 0 256 259 11 25  
Fax : 0 256 259 11 24  
AYDIN / TURKEY

DRAWING NO  
**142010**