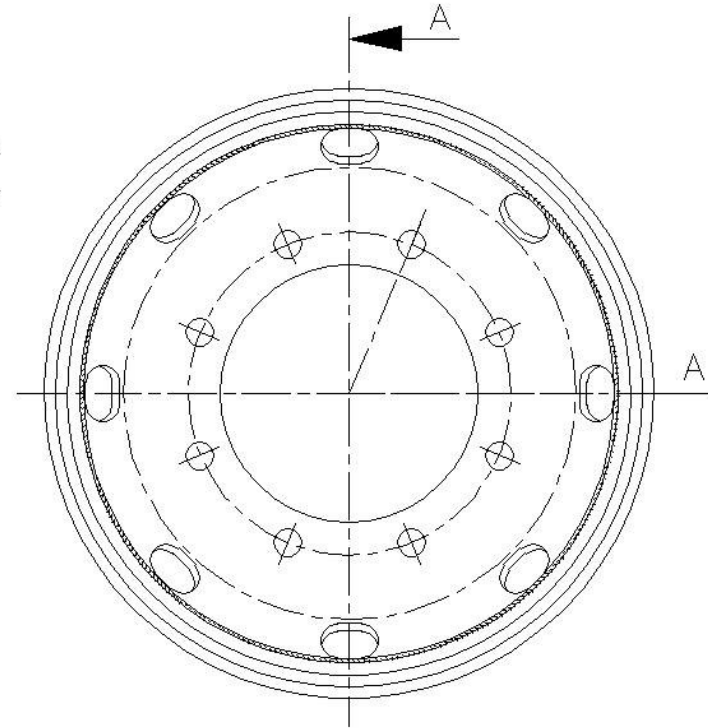
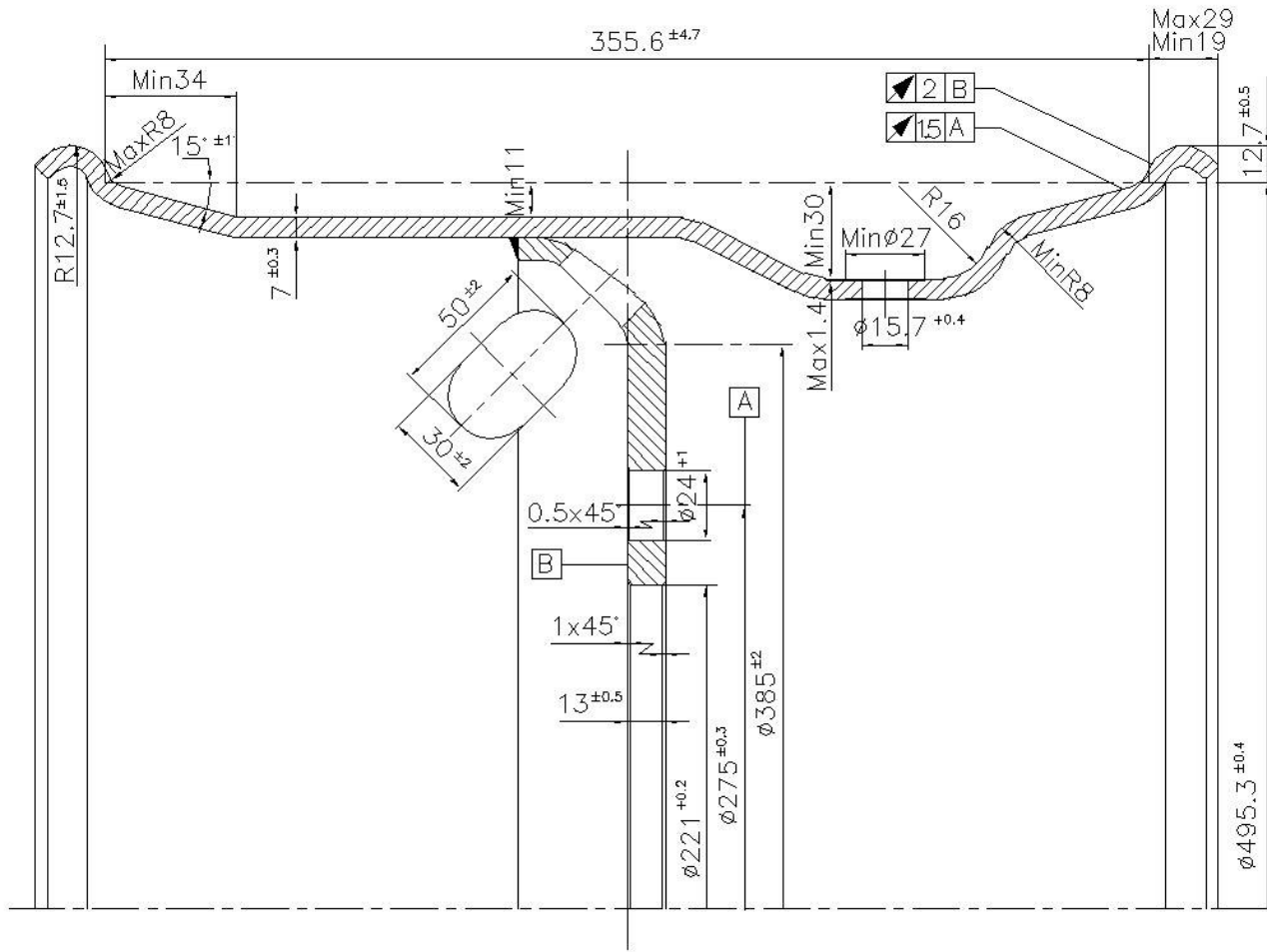


# AA-SECTION



	NAME	SIGN	DATE	JANTSA A.S.
ART.	I.LAYTULUN		23.10.02	
CONT.	M.KARADELI		23.10.02	
APP.	S.KORKMAZ		23.10.02	
SCALE	19.5x14.00			